

Hydraulic Equipment

Mechanical Engineering Technology Series 737

PowerPoint Masters

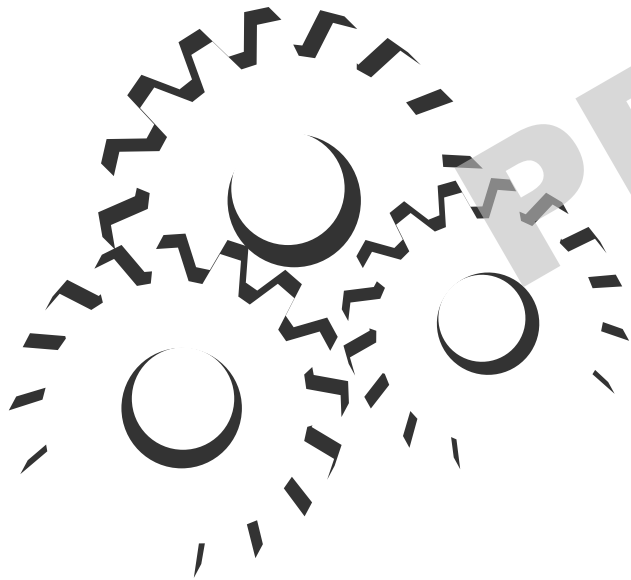


Fig. 1-1. Force in a hydraulic system

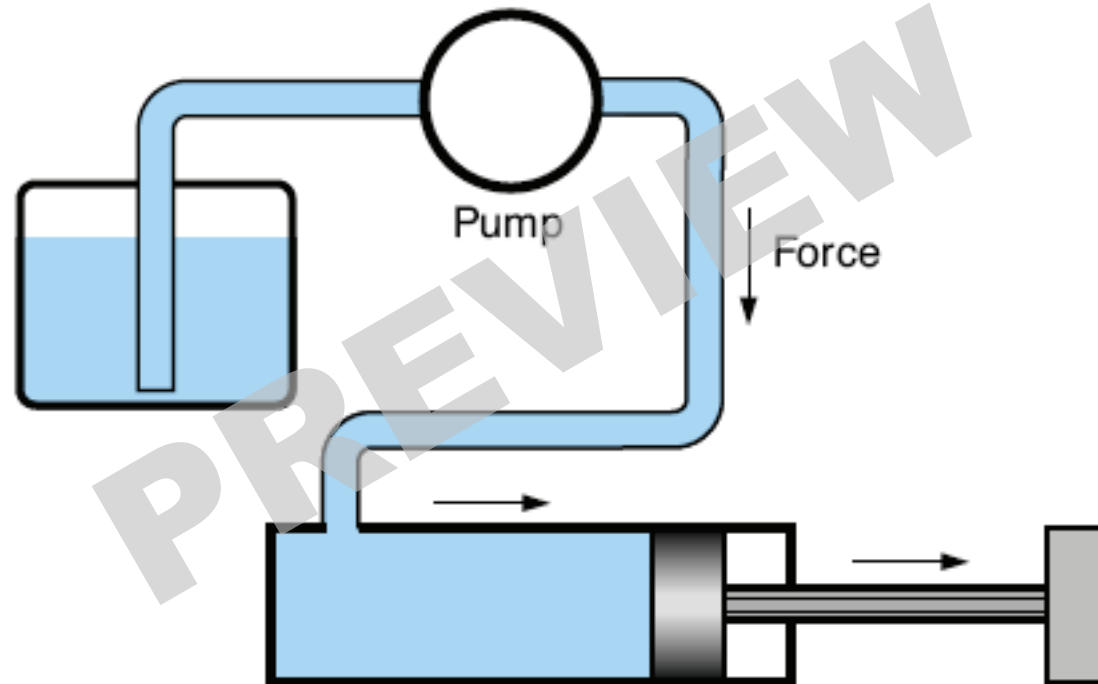


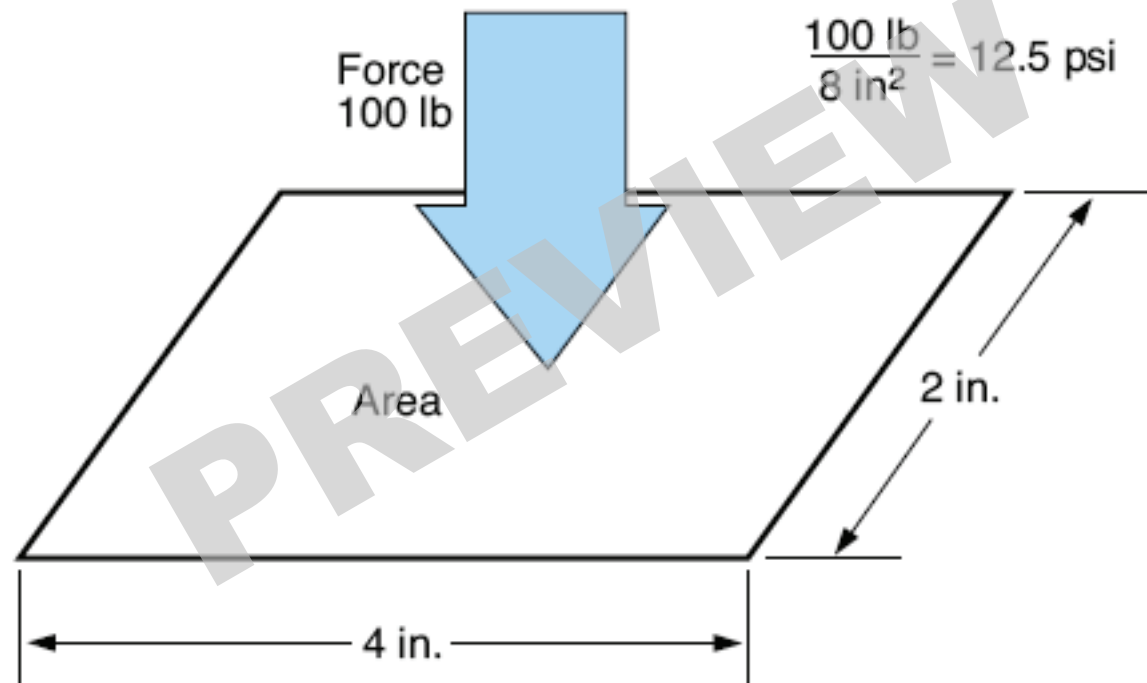
Fig. 1-2. Determining pressure

Fig. 1-3. Comparison between hydraulic and mechanical work



Fig. 1-4. Hydrostatic pressure

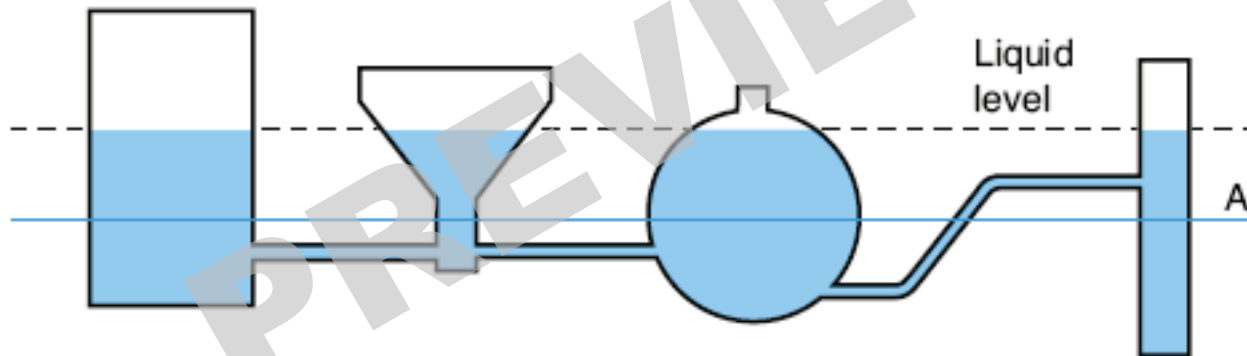


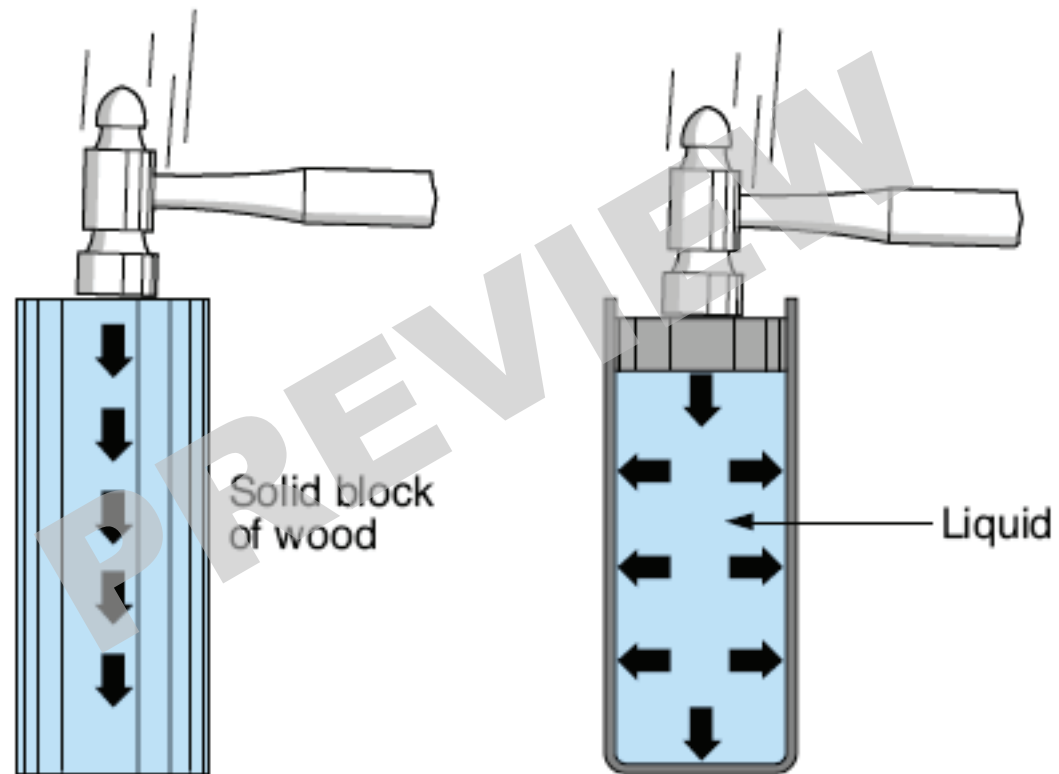
Fig. 1-5. Pascal's Law

Fig. 1-6. Transmission of fluid pressure

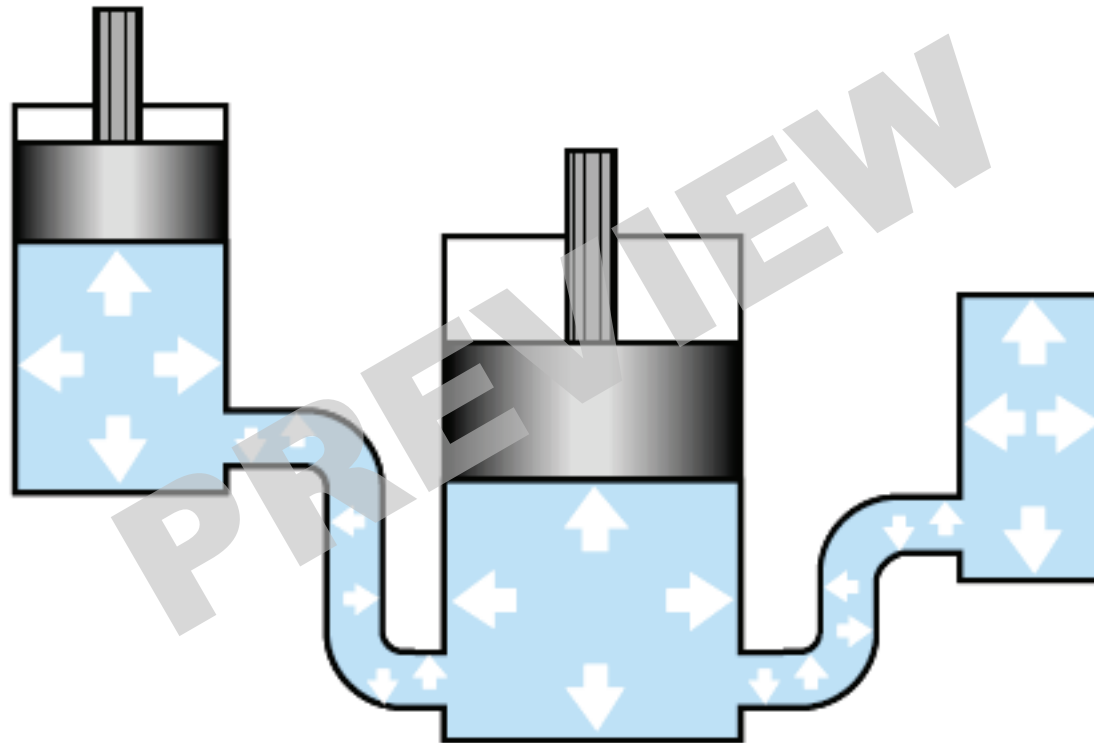


Fig. 1-7. Transmission of force

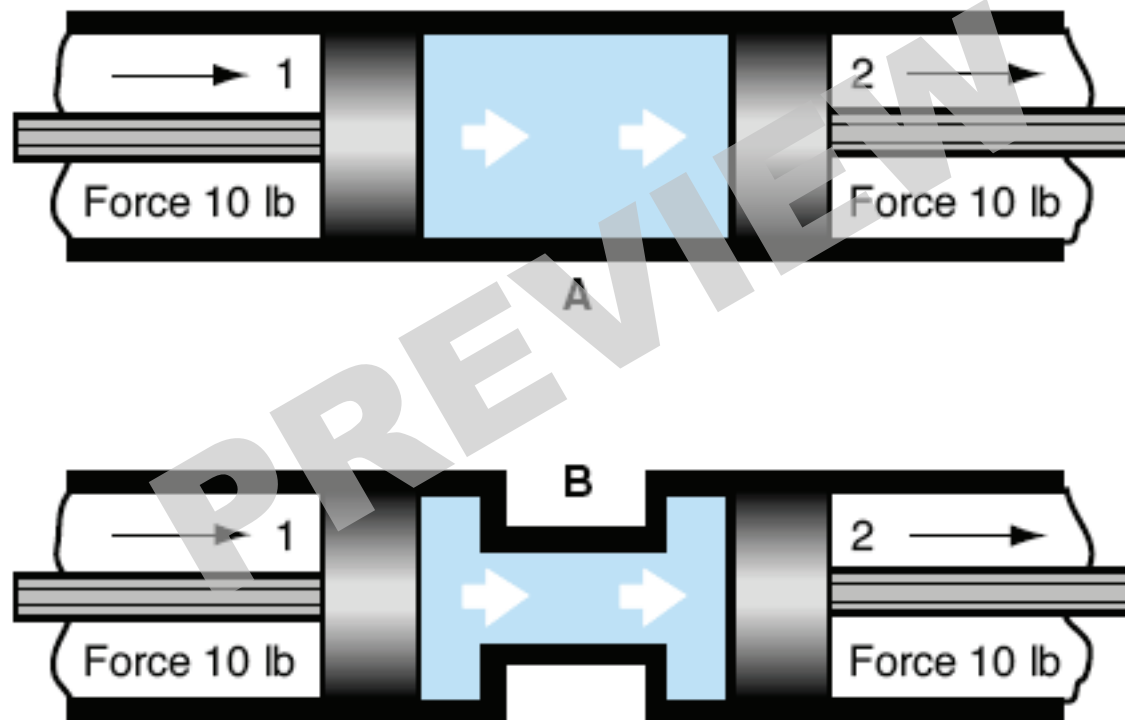


Fig. 1-8. Unequal piston areas

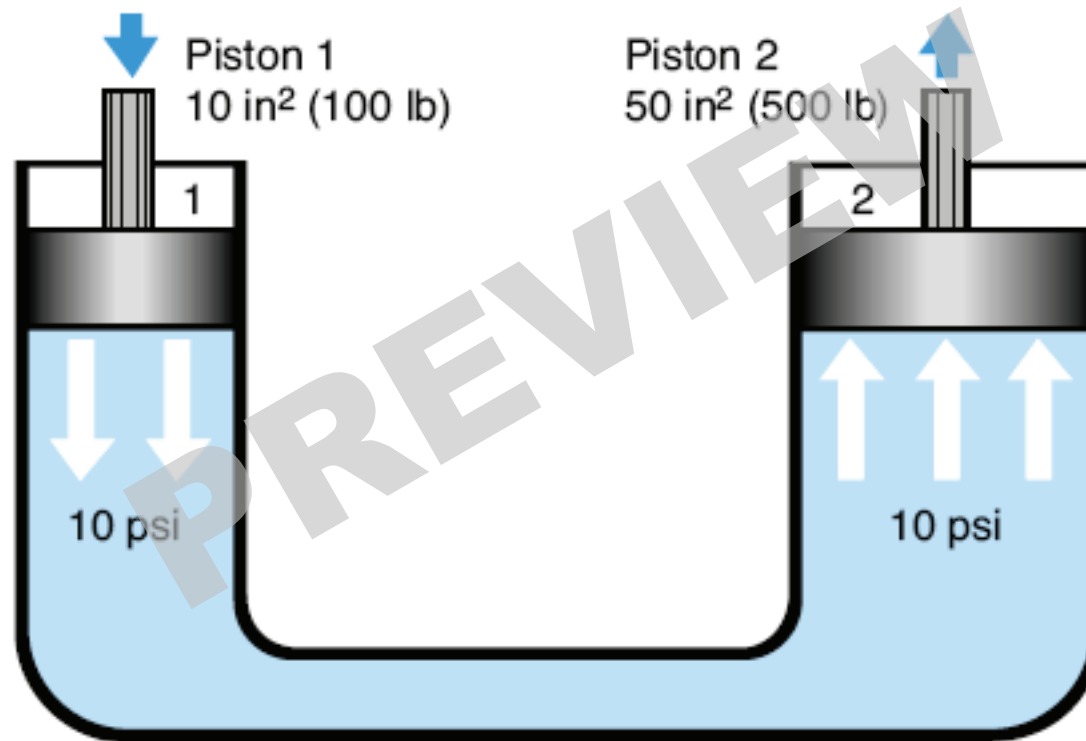


Fig. 1-9. Streamline flow

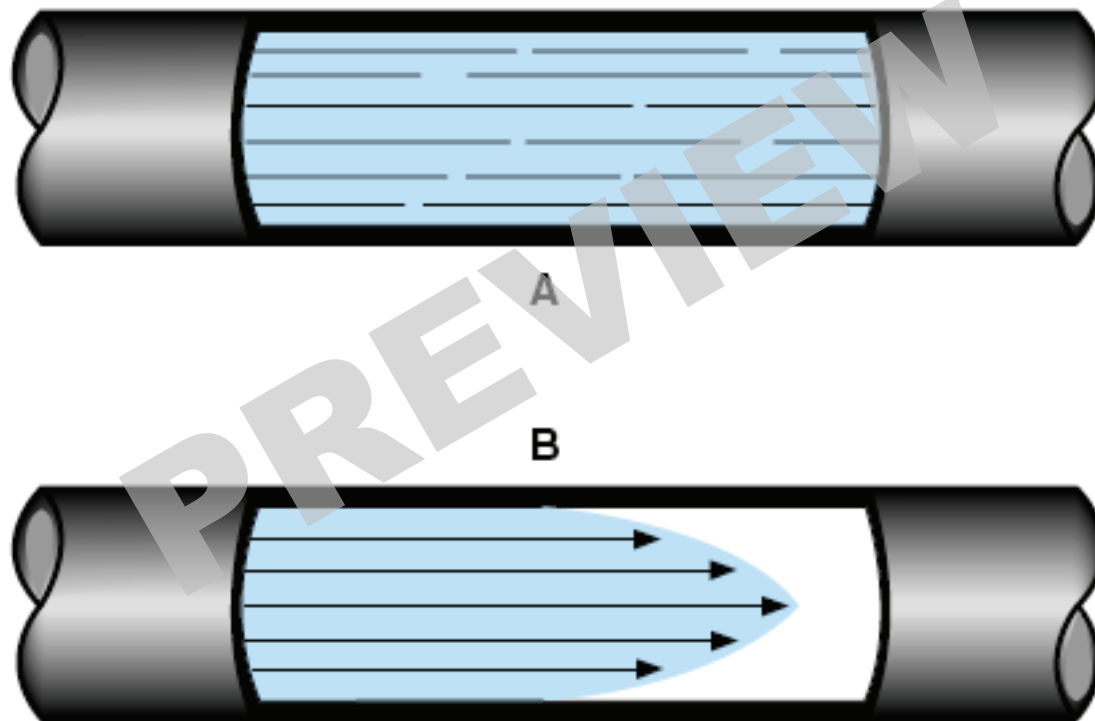


Fig. 1-10. Turbulent flow

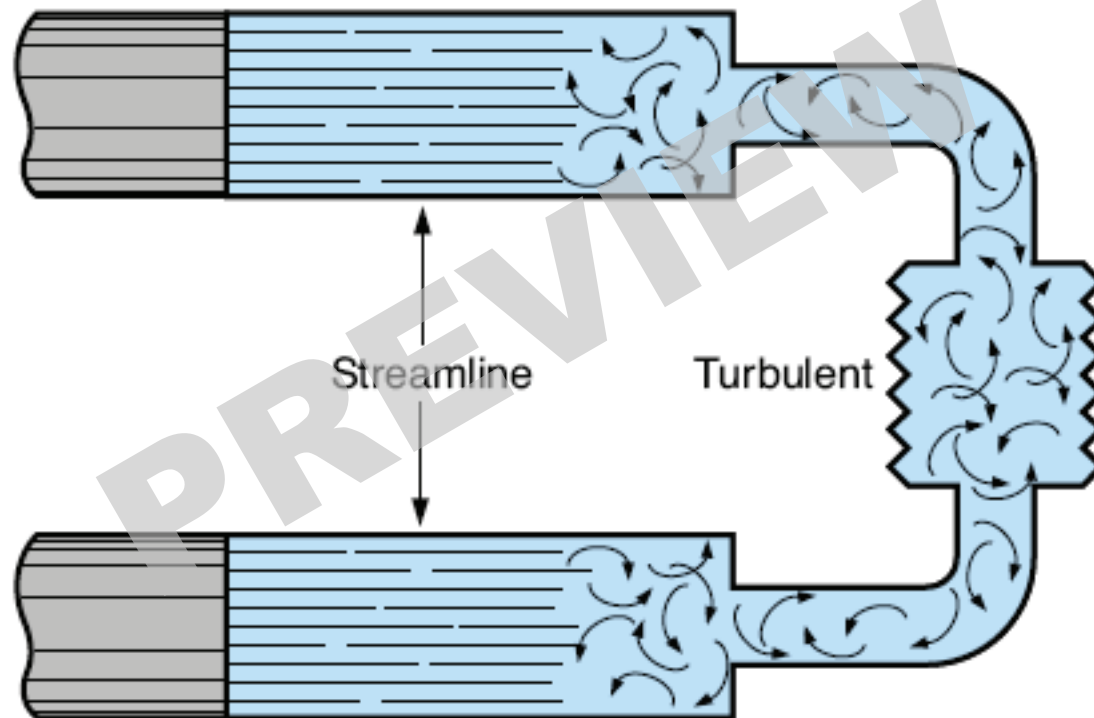


Fig. 1-11. Gradual piping constriction

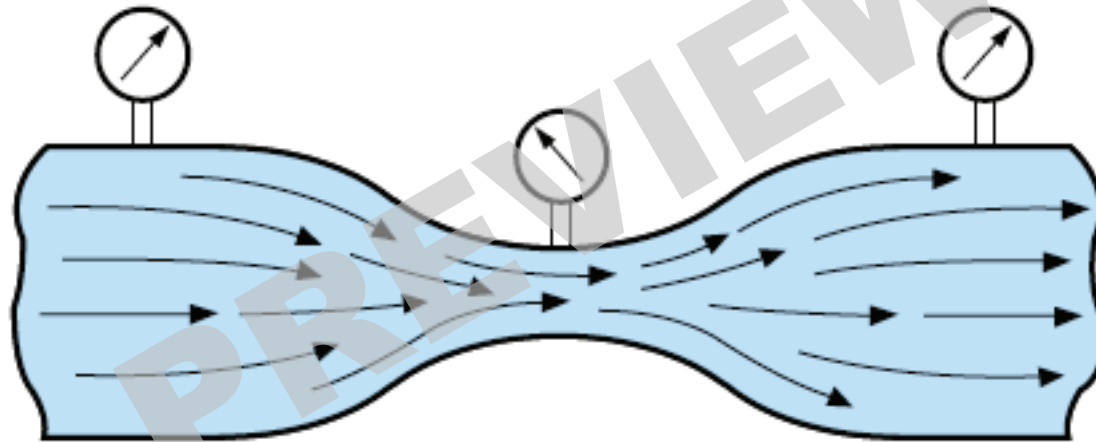


Fig. 1-12. Basic hydraulic system

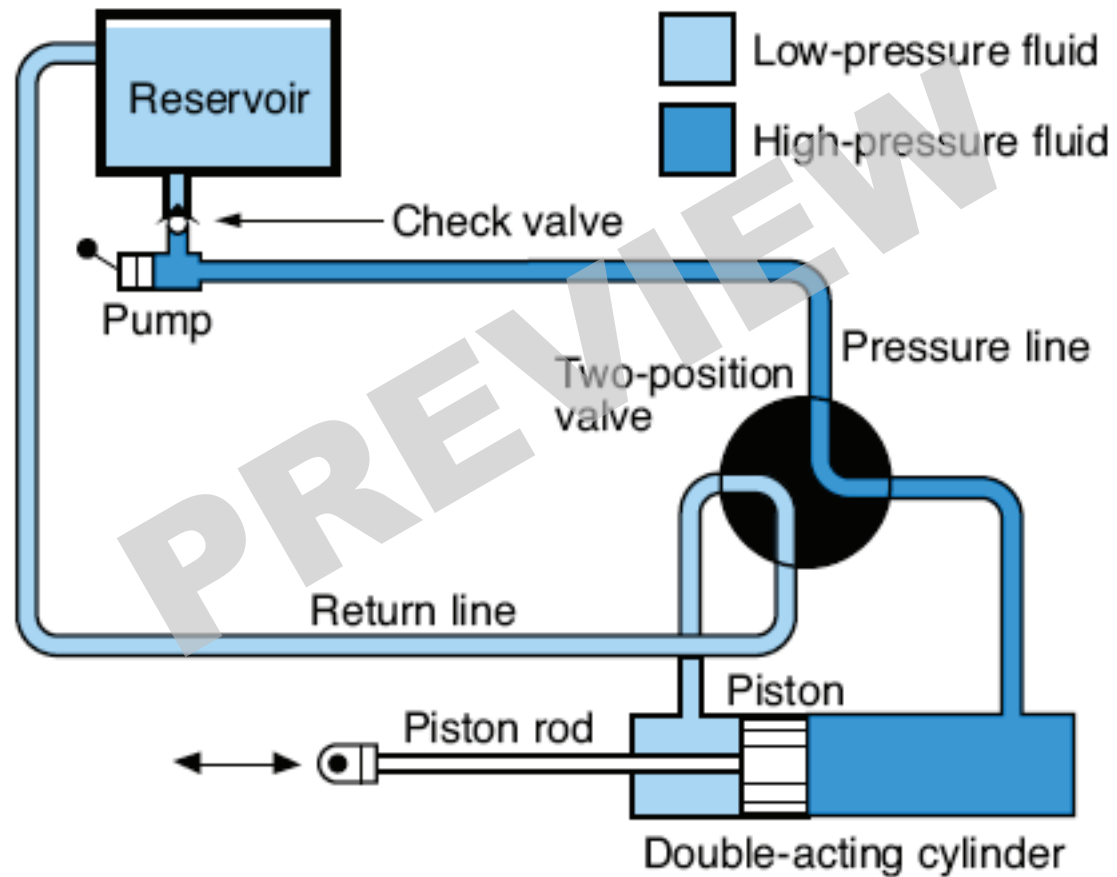


Fig. 1-13. Basic hydraulic system with accessories

